

# HATHOR TWO

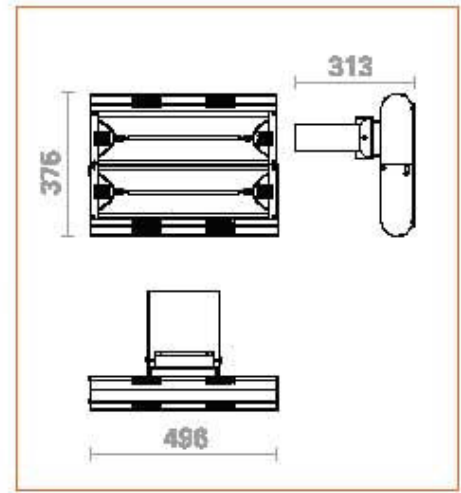
art. 792



ITALY

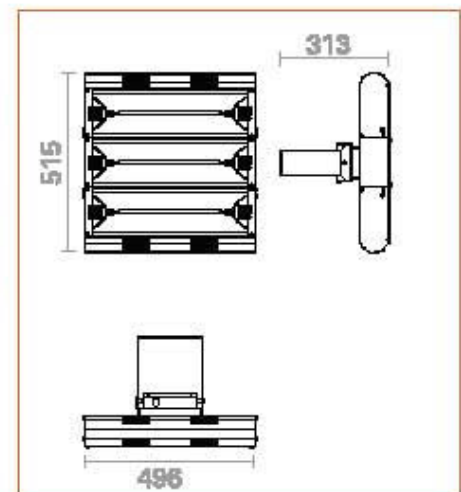
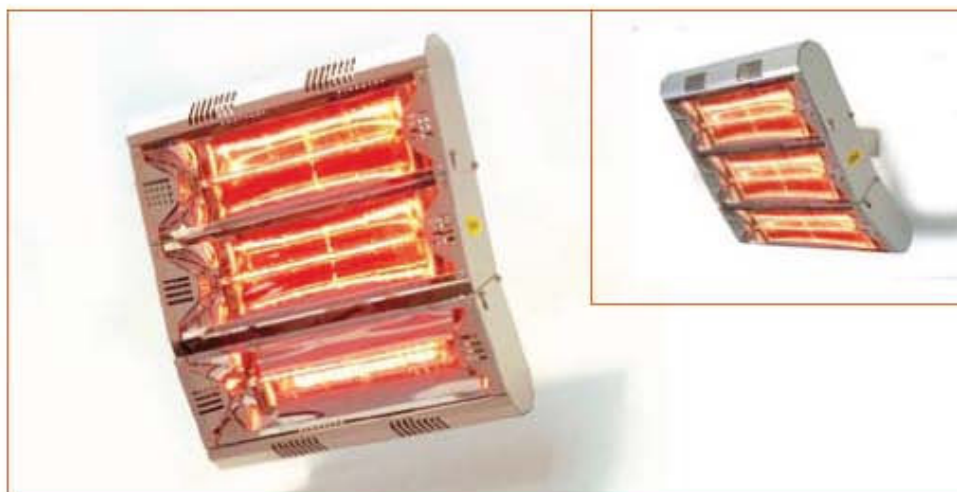


**MADE IN ITALY**



# HATHOR THREE

art. 793



# HATHOR ONE

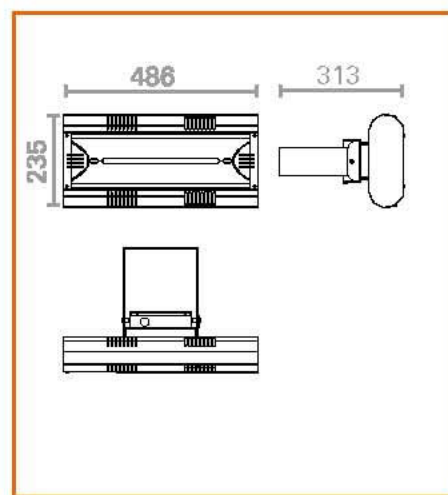
art. 791



ITALY



MADE IN ITALY



## IR-A INDUSTRIAL HEATER

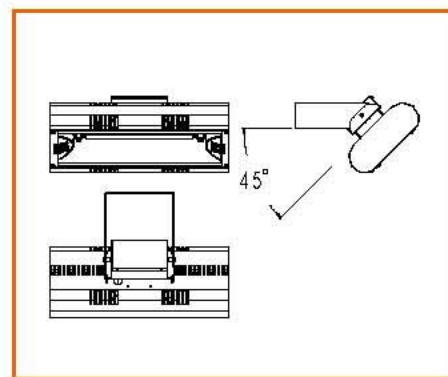
compact design, easy installation

This fitting is suitable for wall mounted or ceiling application. It can replace gas heaters and it optimizes the heating performance. It is not influenced at all by air flows, so that it can be installed also in open windows areas.

Three models available (2000-4000-6000w). Modules adjustable (for wider or more focused heating rays).

It allows a longer distance performance, so that it can be installed wall mounted or by ceiling also in wider spaces.

It is suitable also for machinery line heating or paint car drying.



Adjustable bracket

## TECHNICAL FEATURES

Code	791	792	793
Dimensions	235X486X313mm	375X496X313mm	515X496X313mm
Weight	2,2Kg	3,0Kg	3,8Kg
Power	220-240V 50-60Hz	220-240V 50-60Hz	220-240V 50-60Hz
Lamp	gold	gold	gold
Wave length	IR-A	IR-A	IR-A
Accessories	Wall mounted bracket	Wall mounted bracket	Wall mounted bracket
Watt	2000W	4000W	6000W
Performance	9-12 Sq.m	12-16 Sq.m	16-20 Sq.m